

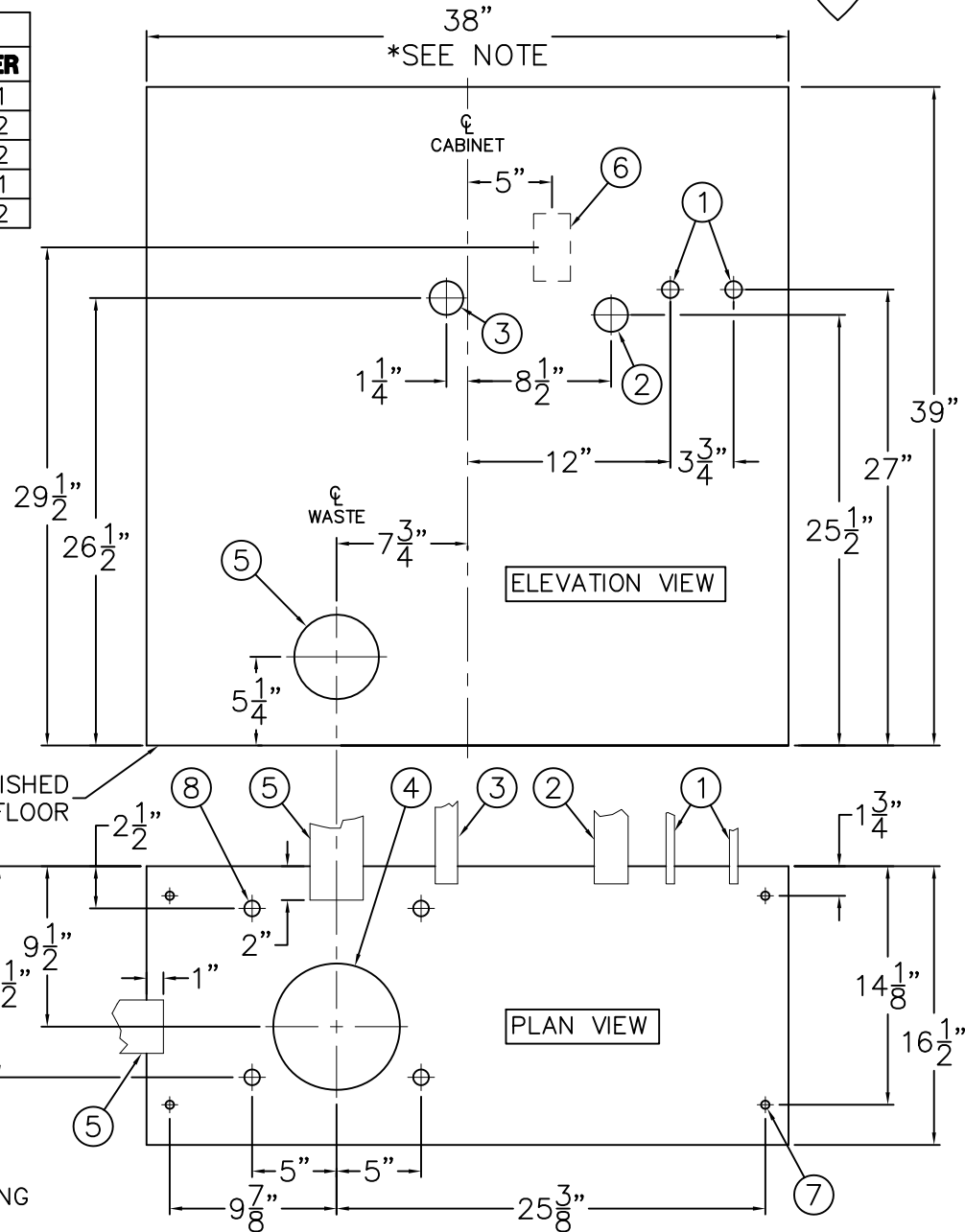
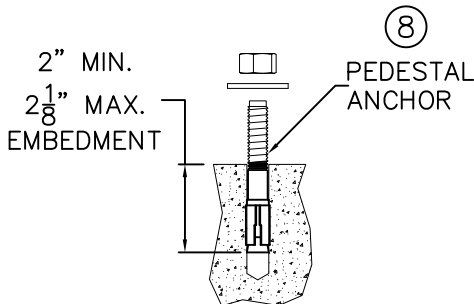
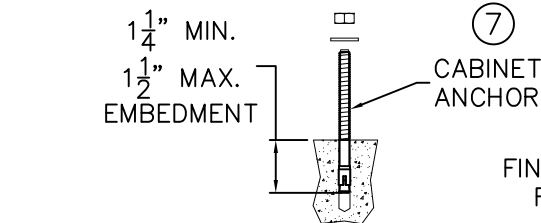


REFERENCE DRAWINGS	
ASSEMBLIES	DRAWING NUMBER
PEDESTAL ASSEMBLY	9915-001-001
GENERAL INSTALLATION	9915-003-002
-VF OPTION	9915-002-002
-FCI OPTION	9915-008-001
-BW & -DB OPTION	9915-009-002

NOTE: CLEAR OPENING FOR ALCOVE UNITS IS 38" WIDE PLUS 1/16" ON EACH SIDE.

NOTE: LAVATORY ROUGH-IN DIMENSIONS REMAIN THE SAME REGARDLESS OF COUNTERTOP OR BOWL MATERIAL.

NOTE: FLOORS AND WALLS MUST BE STRAIGHT AND PLUMB / SQUARE IN ORDER TO PREVENT DEFORMATION OF CABINET AND MALFUNCTION OF TOILET ASSEMBLY.



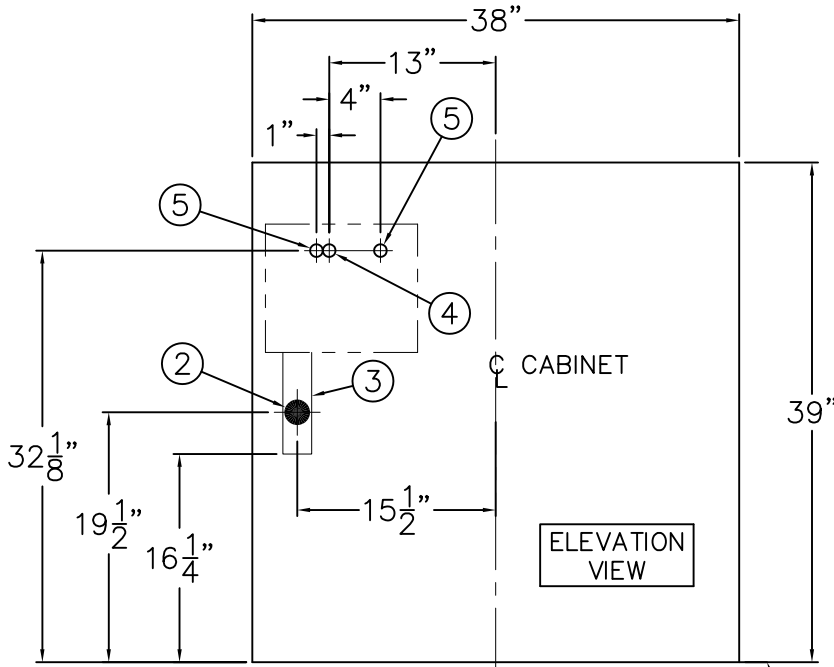
ROUGH-IN SHOWN FOR L.H. MODEL / R.H. MODEL IS OPPOSITE

NOTE: 1/2" UNC STUDS, NUTS, WASHERS OR ANGLE IRON BY OTHERS IS RECOMMENDED TO SECURE PEDESTAL TO FLOOR IF SLAB IS LESS THAN 4" THICK AND/OR RATED STRENGTH IS LESS THAN 3000 LBS PSI.

- A- ROUGH-IN FOR THE FOLLOWING PLUMBING CONNECTIONS:
- 3/8" NCT (1) LAV VALVE SUPPLY
 - 1-1/2" OD (2) TUBE LAV WASTE OUTLET
 - 1" NPT (3) FLUSH VALVE INLET
 - FLOOR OUTLET: 7-1/2" RECESSED GASKET SEAT (4) FOR FLOOR WASTE OUTLET MODELS
 - 3" IPS (5) BACK OR SIDE WASTE OUTLET
 - -SO OPTION: 110VAC ELECTRICAL RECEPTACLE (6) FOR 24VAC PLUG-IN TRANSFORMER.
- NOTE: RECEPTACLE SHOULD BE A GFI PROTECTED CIRCUIT.
- B- LAYOUT ANCHOR PATTERN ON FLOOR AND DRILL:
- CABINET ANCHORS (7) (4) DRILL HOLES 1-5/8" DEEP MINIMUM x 1/4" DIAMETER.
 - PEDESTAL ANCHORS (8) (4) DRILL HOLES 2-5/8" DEEP x 1/2" DIAMETER.

- C- INSTALL PEDESTAL ANCHORS (8) USING A HAMMER DRIVE ANCHORS UNTIL THEY ARE EMBEDDED A MINIMUM OF 2" INTO THE FLOOR.
- D- INSTALL CABINET ANCHORS (7) USING A HAMMER DRIVE ANCHOR UNTIL THEY ARE EMBEDDED A MINIMUM OF 1-1/4" INTO THE FLOOR.
- E- FOR FURTHER ASSEMBLY INSTRUCTIONS PROCEED TO DRAWING #9915-001-001.

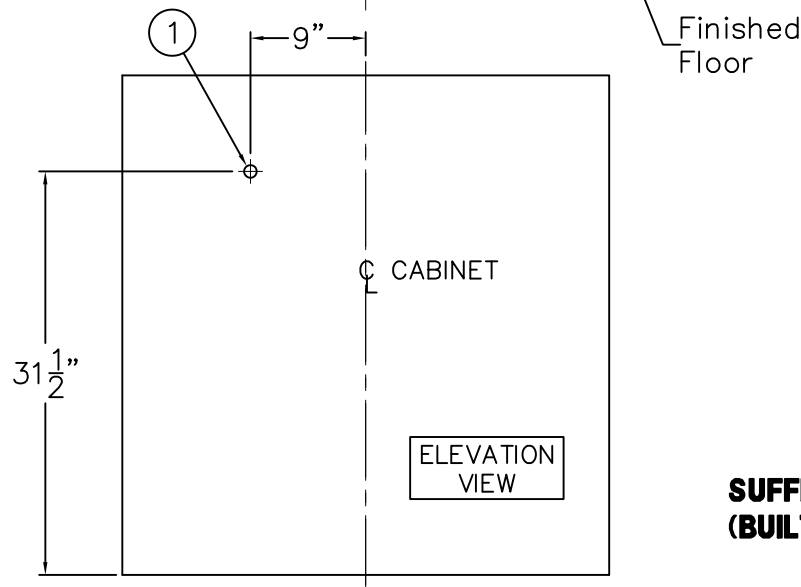
<p>WHITEHALL MANUFACTURING P.O. BOX 3527 Industry, CA 91744 15125 Proctor Ave Industry, CA 91746 (626) 968-6681 FAX (626) 855-4862</p>	<p>TITLE SWIVETTE ANCHORING AND ROUGH-IN INSTRUCTION #4010 THRU 4025</p>	
	<p>MANUFACTURE DATE</p> <p>OCTOBER 17, 1997</p> <p>TO PRESENT</p>	<p>DATE ISSUED</p> <p>09/02/97</p> <hr/> <p>DATE REVISED</p> <p>04/09/15</p>



REFERENCE DRAWING	
ROUGHS	9915-000-002
DIALYSIS BOX	9981-040-001

**SUFFIX OPTION -DB
(BUILT-IN DIALYSIS BOX)**

NOTE: SINGLE VALVE & (2) VALVE SHOWN.



**SUFFIX OPTION -BW
(BUILT-IN BEDPAN WASHER)**

L.H. MODEL SHOWN / R.H. MODEL IS OPPOSITE

OPTIONAL -BW ROUGH-IN FOR THE FOLLOWING:

- BEDPAN WASHER INLET ① 3/8" NPT FROM VACUUM BREAKER BY OTHERS. ACORN RECOMMENDS A PRESSURE TYPE VACUUM BREAKER FOR BACKFLOW PREVENTION. FOLLOW LOCAL CODES FOR INSTALLATION OF BACKFLOW PREVENTION DEVICE.

OPTIONAL -DB ROUGH-IN FOR THE FOLLOWING:

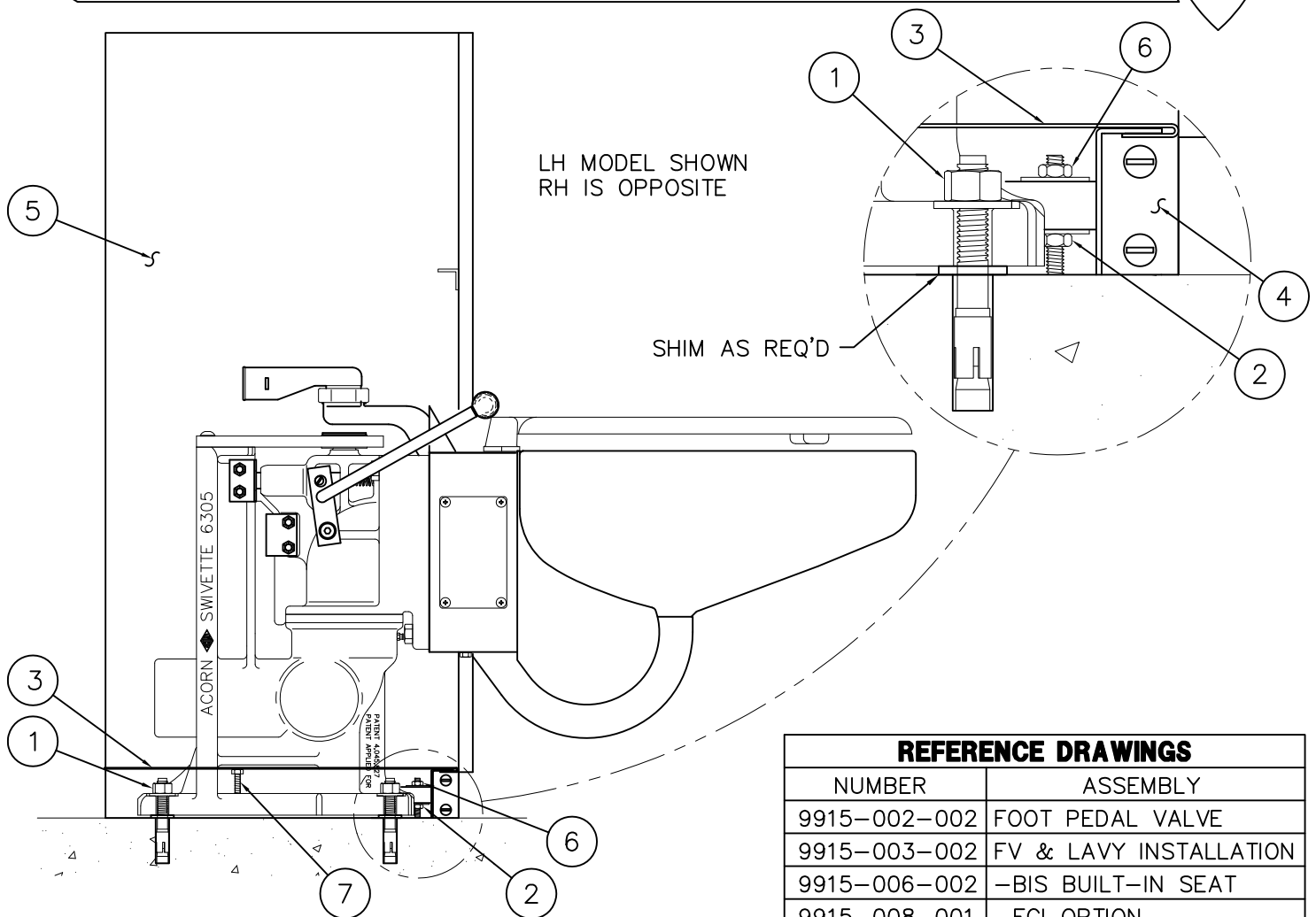
- WALL WASTE ② FOR P-TRAP BY OTHERS TO CONNECT 1-1/2" OD STAINLESS STEEL DIALYSIS TAILPIECE WASTE OUTLET ③.
- SINGLE VALVE: 1/2" NPT ④ SUPPLY INLET EXTENDING 9-1/2" FROM WALL TO INLET.
- DUAL VALVE: 1/2" NPT ⑤ SUPPLY INLETS EXTENDING 9-1/2" FROM WALL TO INLETS.

REFER TO DRAWING #9915-000-002 FOR COMPLETE ROUGH-IN INFORMATION.



WHITEHALL MANUFACTURING
P.O. BOX 3527 Industry, CA 91744
15125 Proctor Ave Industry, CA 91746
(626) 968-6681 FAX (626) 855-4862

TITLE SWIVETTE DIALYSIS BOX & BEDPAN WASHER ROUGHS 4010, 4012 & 4015		
MANUFACTURE DATE OCTOBER 1993 TO PRESENT	DATE ISSUED 10/21/98	DRAWING NUMBER 9915-009-002
	DATE REVISED 07/18/07	



INSTALLATION INSTRUCTIONS:

A- INSTALL TOILET PEDESTAL ASSEMBLY ONTO PEDESTAL ANCHORS (1). NOTE: DO NOT REUSE ANCHORING HARDWARE FROM SHIPPING PANEL.

NOTE:

- ON FLOOR WASTE MODELS CONNECTION MUST BE MADE AT THIS TIME. FIXTURE WASTE OUTLET IS 7-1/2" RECESSED GASKET FLANGE.
- PREPARE BUT DO NOT FINALIZE BACK OR SIDE WASTE CONNECTIONS.

B- LEVEL AND SQUARE TOILET SHIM PEDESTAL AS REQUIRED SEE DETAIL AA. TIGHTEN (4) NUTS. NOTE: PEDESTAL MUST BE SUPPORTED AT ALL (4) CORNERS.

C- FINALIZE WASTE CONNECTIONS.

D- INSTALL CABINET MOUNTING STUDS, LOWER NUT AND WASHER (2) (4) PLACES (SEE DETAIL AA). REMOVE CABINET FLOOR PANELS (3) AND TOE SPACE ANGLE (4). PLACE CABINET (5) ONTO MOUNTING STUDS.

E- IF FOOT OPERATED VALVE: PROCEED TO DWG INDICATED ABOVE.

F- REINSTALL TOE SIDE ANGLE (4).

REFERENCE DRAWINGS

NUMBER	ASSEMBLY
9915-002-002	FOOT PEDAL VALVE
9915-003-002	FV & LAVY INSTALLATION
9915-006-002	-BIS BUILT-IN SEAT
9915-008-001	-FCI OPTION
9915-012-001	SEAT INSTALLATION
REPAIR PARTS	
9980-025-001	LATCHING ASSEMBLY
9980-020-001	WASTE BEARING ASSY

NOTE: CABINET FRAME MUST BE STIFFENED AND SQUARED TOE SPACE ANGLE BEFORE BOLTING FRAME TO FLOOR. ACORN WILL NOT ACCEPT RESPONSIBILITY FOR CABINETRY ALIGNMENT IF THIS PROCEDURE IS NOT FOLLOWED.

G- INSTALL UPPER WASHER & MOUNTING NUT (6), HAND TIGHT. LEVEL CABINET BY RAISING LOWER MOUNTING NUTS, HAND TIGHTEN.

H- REINSTALL FLOOR (3) TO CHECK SQUARENESS AND FIT. SHIFT CABINET FRAME AS REQUIRED UNTIL FLOORING FITS SQUARE. LEVEL FLOOR WITH FLOOR LEVELING BOLTS (7), REMOVE FLOORING, TIGHTEN CABINET ANCHORS.

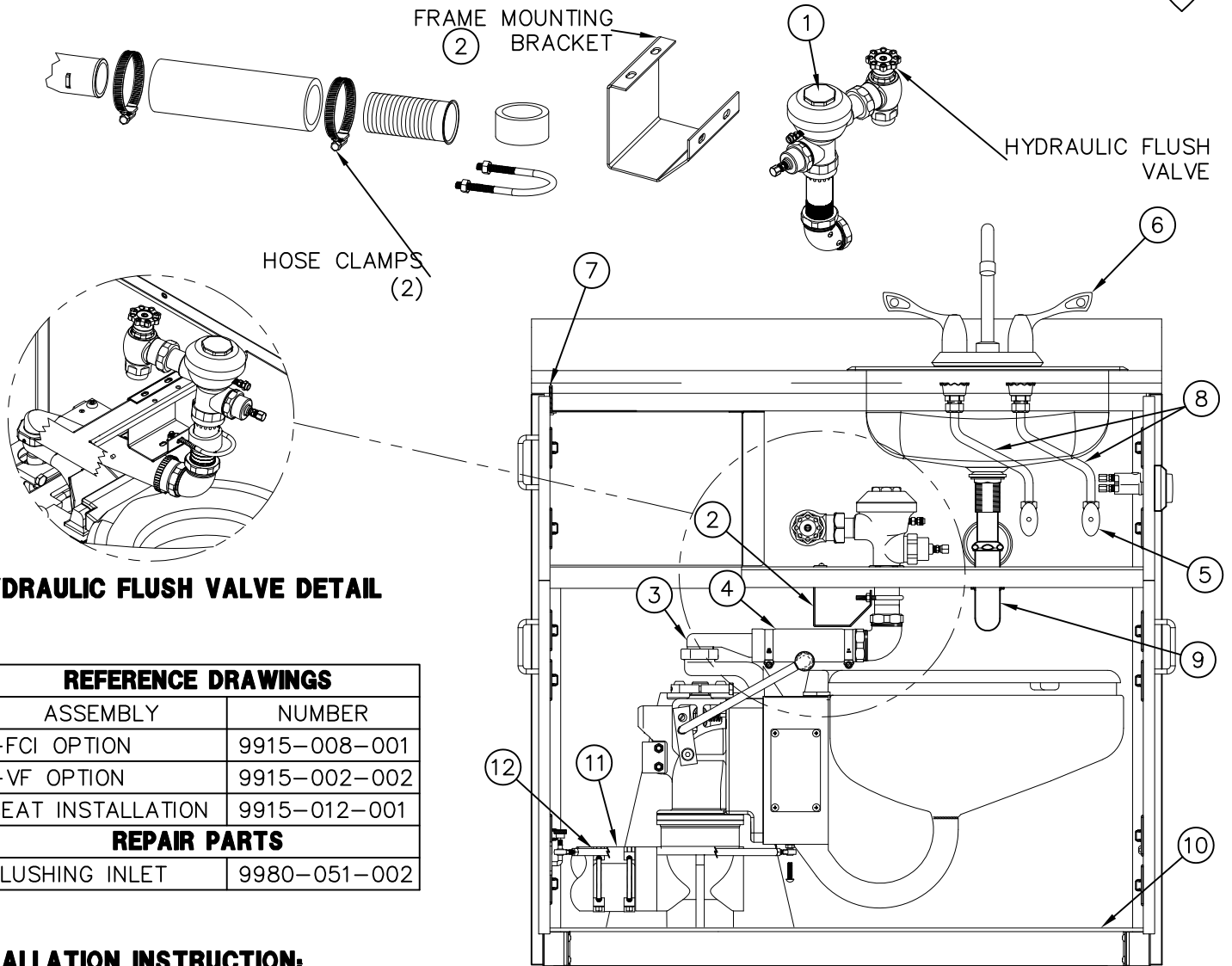
NOTE: MAY HAVE TO RE-ALIGN DOORS ON CABINET: LOOSEN SCREWS ON HINGES, ADJUST, & RE-TIGHTEN SCREWS.

I- PROCEED TO FURTHER INSTALLATION DETAILS INDICATED ABOVE.



WHITEHALL MANUFACTURING
P.O. BOX 3527 Industry, CA 91744
15125 Proctor Ave Industry, CA 91746
(626) 968-6681 FAX (626) 855-4862

TITLE SWIVETTE TOILET PEDESTAL ASSEMBLY - ALL MODELS		
MANUFACTURE DATE	DATE ISSUED	DRAWING NUMBER
MAY 1982	09/01/89	9915-001-001
TO PRESENT	DATE REVISED 11/08/13 E	



HYDRAULIC FLUSH VALVE DETAIL

REFERENCE DRAWINGS	
ASSEMBLY	NUMBER
-FCI OPTION	9915-008-001
-VF OPTION	9915-002-002
SEAT INSTALLATION	9915-012-001
REPAIR PARTS	
FLUSHING INLET	9980-051-002

INSTALLATION INSTRUCTION:

- A- INSTALL FLUSH VALVE (1) TO FRAME MOUNTING BRACKET (2) AND CONNECT FLUSH VALVE SUPPLY BY OTHERS.
- B- SWIVEL INLET ASSEMBLY (3) IS LUBRICATED AND ADJUSTED, CHECK SWIVEL ACTION PRIOR TO INSTALLING HOSE (4) BETWEEN FLUSH VALVE AND SWIVEL INLET. TIGHTEN.
- C- INSTALL ANGLE STOPS (5) BY OTHERS TO LAVY STUB OUTS.
- D- INSTALL GOOSENECK OR DECK MOUNTED FAUCET (6) TO COUNTERTOP.
- E- INSTALL COUNTERTOP (7) WITH 4 SCREWS PROVIDED. CAULK TO WALL.
- F- CONNECT HOT AND COLD SUPPLY RISERS (8) BY OTHERS TO ANGLE STOPS (5) AND FAUCET (6). * FOOT PEDAL OPERATED MODELS CONNECT FAUCET TO VALVE WITH FLEXIBLE RISER TUBING PROVIDED. REFER TO DRAWING 9915-002-002.

- G- INSTALL LAVATORY WASTE ASSEMBLY (9).
- H- RE-INSTALL FLOORING (10) CAULK GAP BETWEEN TOILET PEDESTAL AND CABINET WITH WHITE SILICON. DO NOT USE SELF-LEVELING CAULK
- I- IF TOILET WASTE IS SIDE WALL OUTLET MODEL CONNECT WASTE OUTLET WITH CLAMP TYPE (11) COUPLING. INSTALL UPPER AND LOWER SIDE PANELS.
- J- INSTALL TOILET DOOR LINKAGE (12) AND ADJUST. DOOR MUST FULLY CLOSE BEFORE TOILET BOWL HITS BACK WALL.

HYDRAULIC FLUSH VALVE NOTES:

1. REFER TO DRAWING #9915-008-001 FOR OPTIONAL FLUSH CYCLE INTERRUPT INSTALLATION.
2. FOLLOW MANUFACTURER'S INSTALLATION PROCEDURES FOR YOUR FLUSH VALVE.
3. DO NOT CUT LENGTH OF TUBING PROVIDED.
3. DO NOT TAPE OR FIX TUBING IN A STATIONARY POSITION.



WHITEHALL MANUFACTURING
P.O. BOX 3527 Industry, CA 91744
15125 Proctor Ave Industry, CA 91746
(626) 968-6681 FAX (626) 855-4862

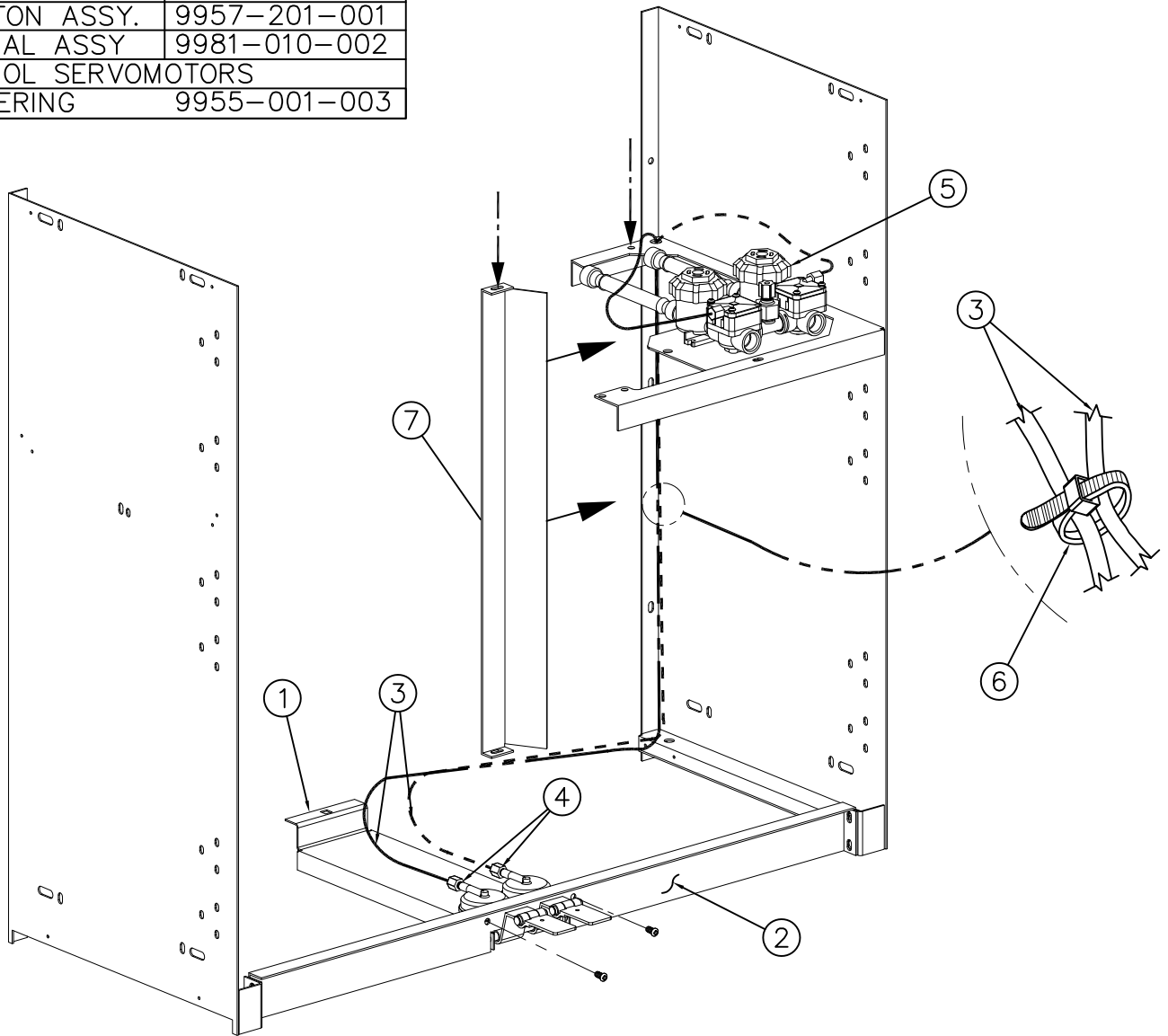
TITLE SWIVETTE INSTALLATION ALL MODELS		
MANUFACTURE DATE	DATE ISSUED	DRAWING NUMBER
OCTOBER 1994 TO PRESENT	09/01/89	
	DATE REVISED	9915-003-002
	08/28/14	



REFERENCE DRAWINGS

ASSEMBLIES	NUMBER
VALVE BODY	9955-005-003
STOPS	9956-040-003
PUSHBUTTON ASSY.	9957-201-001
FOOT PEDAL ASSY	9981-010-002
AIR-TROL SERVOMOTORS	
NON-METERING	9955-001-003

LEFT HAND MODEL SHOWN
RIGHT HAND MODEL OPPOSITE



C- SLIDE CABLE COVER ⑦ BETWEEN REAR ANGLE AND SIDE OF CABINET. RETURN TO INSTALLATION DWG #9915-001-001 ITEM "F" AND PROCEED WITH CABINET INSTALLATION.

INSTALLATION INSTRUCTIONS:

- A- ATTACH FOOT PEDAL ASSEMBLY ① TO TOE SPACE ANGLE ② .
- B- RUN 1/8" DIA. AIR LINES ③ FROM FOOT PUSHBUTTONS ④ TO VALVE BODY ⑤ . USE CABLE TIES ⑥ (3) PROVIDED TO KEEP LINES TOGETHER AND STRAIGHT.

NOTE:

MAXIMUM RECOMMENDED WORKING PRESSURE IS 100 PSI; TEMPERATURE IS 130°F; OUTLET TEMPERATURE IS RECOMMENDED AT A MAXIMUM OF 105°F.

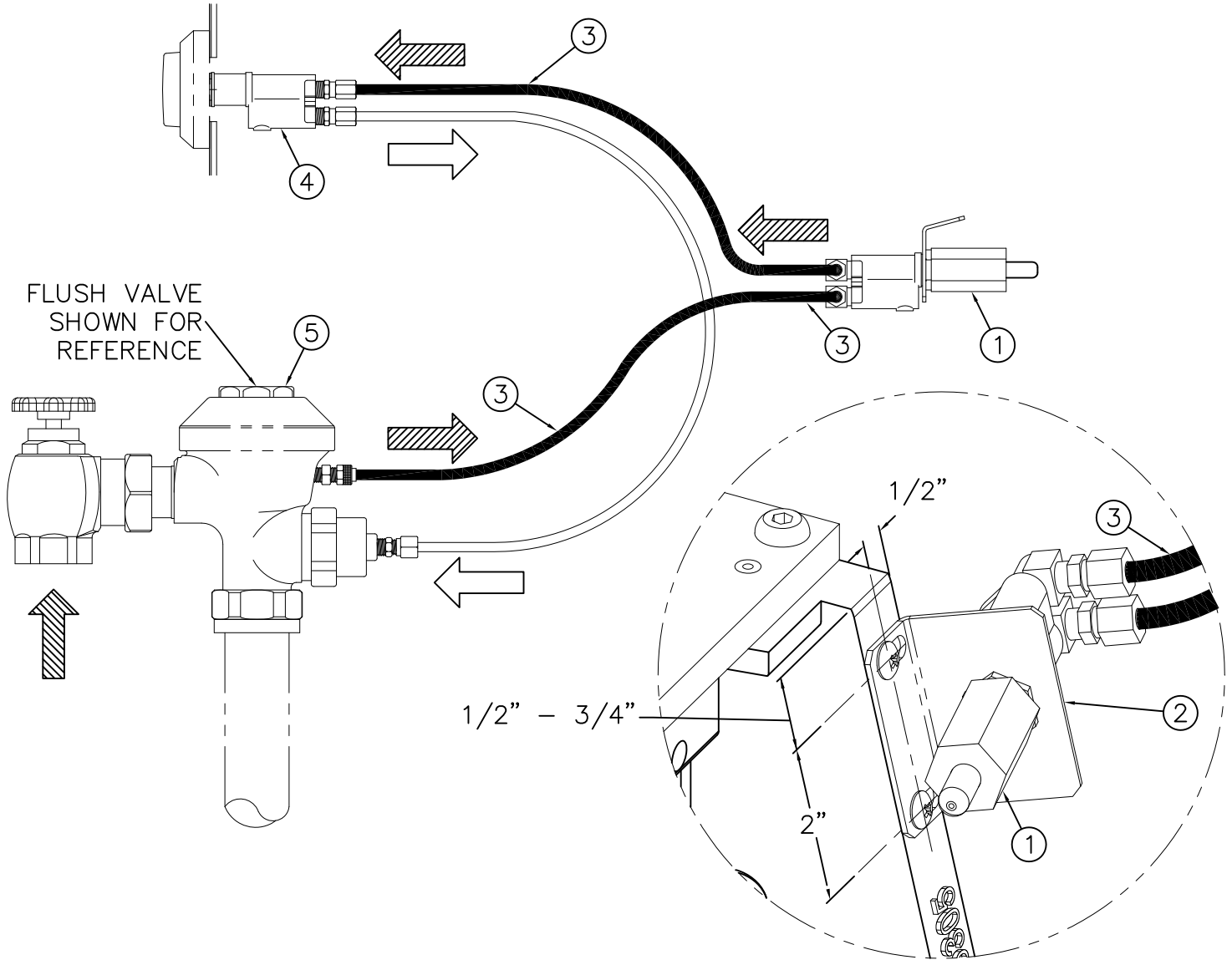
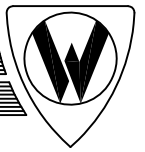
WARNING:

PRIOR TO MAKING INSTALLATION, SUPPLY LINES MUST BE FLUSHED OF ALL FOREIGN MATERIAL SUCH AS PIPE DOPE, CHIPS, ETC. VALVE MUST BE DRAINED PRIOR TO BEING SUBJECTED TO FREEZING TEMPERATURES. MAXIMUM RECOMMENDED OUTLET WATER TEMPERATURE IS 105°F.



WHITEHALL MANUFACTURING
P.O. BOX 3527 Industry, CA 91744
15125 Proctor Ave Industry, CA 91746
(626) 968-6681 FAX (626) 855-4862

TITLE SWIVETTE FOOT VALVE ASSY (SUFFIX OPTION -VF) ALL MODELS		
MANUFACTURE DATE MAY 1994 TO PRESENT	DATE ISSUED 05/26/94	DRAWING NUMBER 9915-002-002
	DATE REVISED 07/14/10	




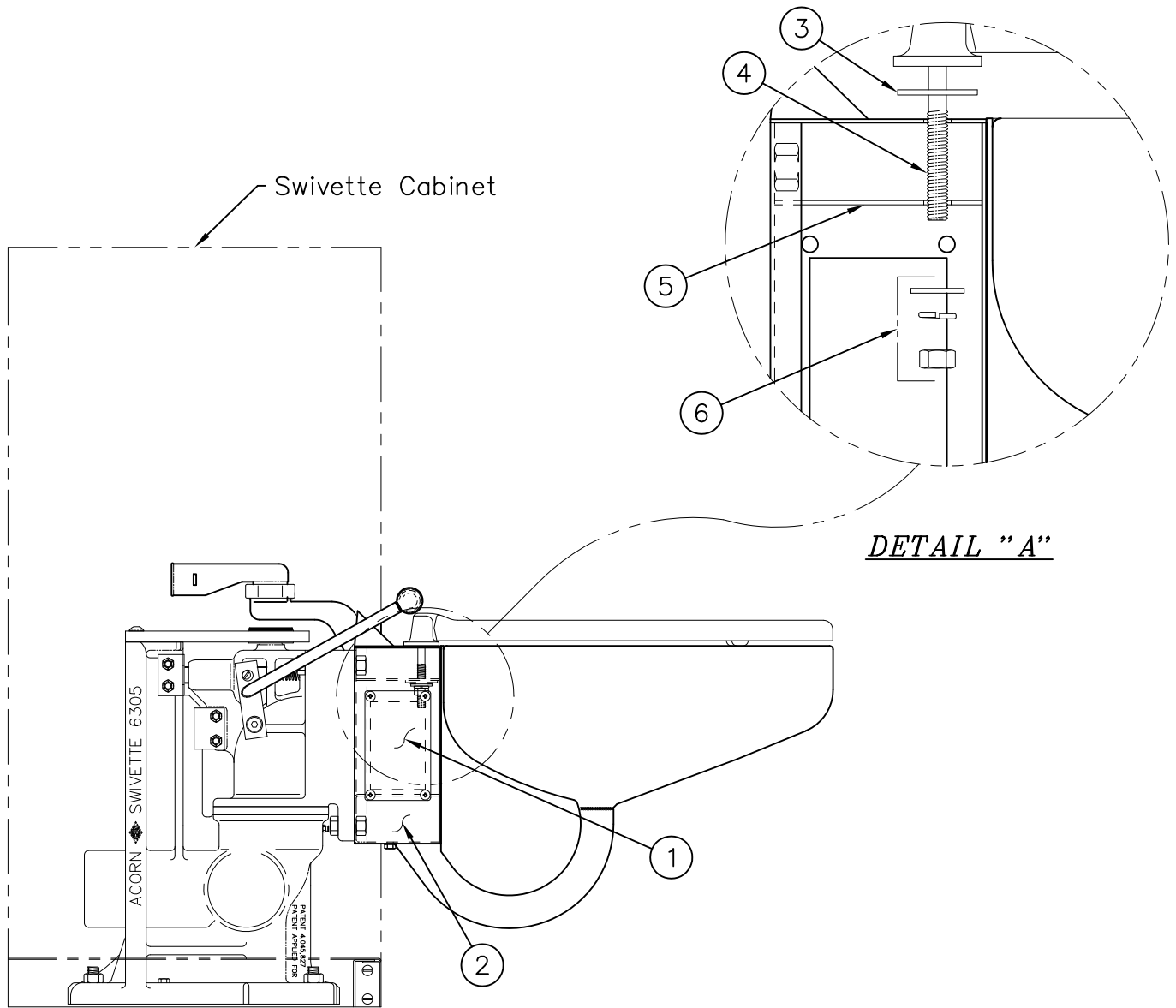
INSTALLATION INSTRUCTIONS:

- A- Assemble switch ① to flush valve interrupt bracket ② connect the 1/4" supply tubing ③ to the appropriate position on the pushbutton assembly ④, connect the 1/4" supply tubing ③ from the flush valve ⑤ to the switch ① and from the switch to the pushbutton ④ using the tubing supplied with your flush valve.
- B- Check the operation of the Flush Valve and -FCI observing for leaks.

-LEFT TOILET SHOWN
-RIGHT TOILET OPPOSITE

The -FCI Infectious Control Flush Switch option provides a means of disabling the flush valve pushbutton when the toilet is in the "in-use" position. When the fixture is returned to the stowed position, the flush valve pushbutton is again enabled allowing the unit to be flushed normally.


 WHITEHALL MANUFACTURING P.O. BOX 3527 Industry, CA 91744 15125 Proctor Ave Industry, CA 91746 (626) 968-6681 FAX (626) 855-4862	TITLE SWIVETTE -FCI INFECTIOUS CONTROL FLUSH	
	MANUFACTURE DATE JUNE 2007 TO PRESENT	DATE ISSUED 06/01/07 DATE REVISED 10/29/12



INSTALLATION INSTRUCTIONS:

- A- REMOVE ACCESS PANEL (1) FROM BOTH SIDES OF HOUSING (2).
- B- PLACE RUBBER GASKET (3) ONTO SEAT'S THREADED RODS (4).
- C- POSITION SEAT ONTO TOILET HOUSING (2) AND SLIDE SEAT THREADED RODS (4) THROUGH SPACER CHANNEL (5).

- D- ASSEMBLE HARDWARE (6) AS SHOWN IN DETAIL "A".
- E- ENSURE ALL HARDWARE IS TIGHT AND REPLACE ACCESS PANELS (1) TO HOUSING (2).

 WHITEHALL MANUFACTURING P.O. BOX 3527 Industry, CA 91744 15125 Proctor Ave Industry, CA 91746 (626) 968-6681 FAX (626) 855-4862	TITLE SWIVETTE TOILET SEAT REPLACEMENT		
	MANUFACTURE DATE MAY 2009 TO PRESENT	DATE ISSUED 05/26/09	DRAWING NUMBER 9915-012-001
		DATE REVISED 07/21/11	