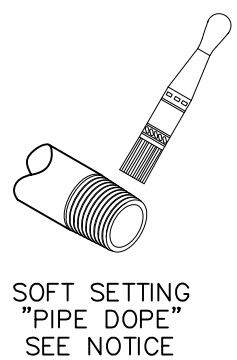
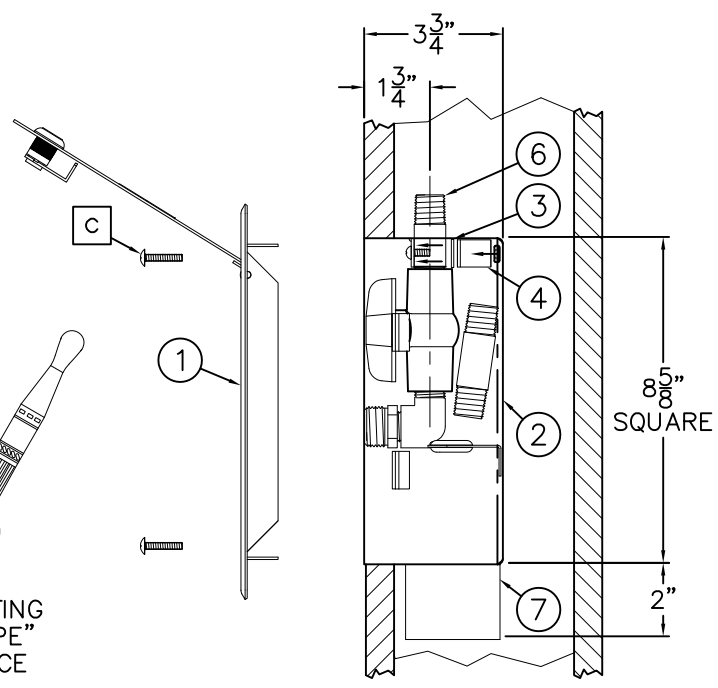
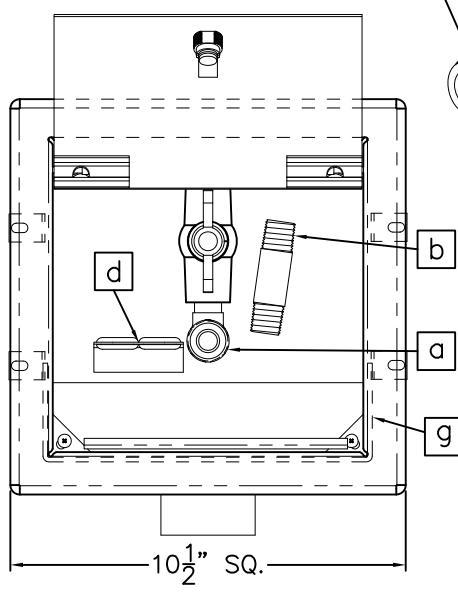
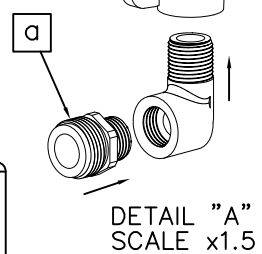


REFERENCE DRAWINGS	
REPAIR PARTS	9989-065-001

- a 3/4" MALE HOSE CONNECTION
- b 3" LONG FLUSHING NIPPLES SHIPPED LOOSE
- c STAINLESS STEEL #10-32 UNF x 1" LONG WALL FLANGE / DOOR ANCHORING SCREWS
- d DISCHARGE HOSE BRACKET
- g GRAY FOAM WEATHER STRIPPING TAPE



SOFT SETTING "PIPE DOPE" SEE NOTICE

**MODEL WITH DOOR 8196**  
**MODEL LESS DOOR 8191**  
**MODELS ONE VALVE (8191 & 8196)**

**INSTALLATION INSTRUCTIONS:**

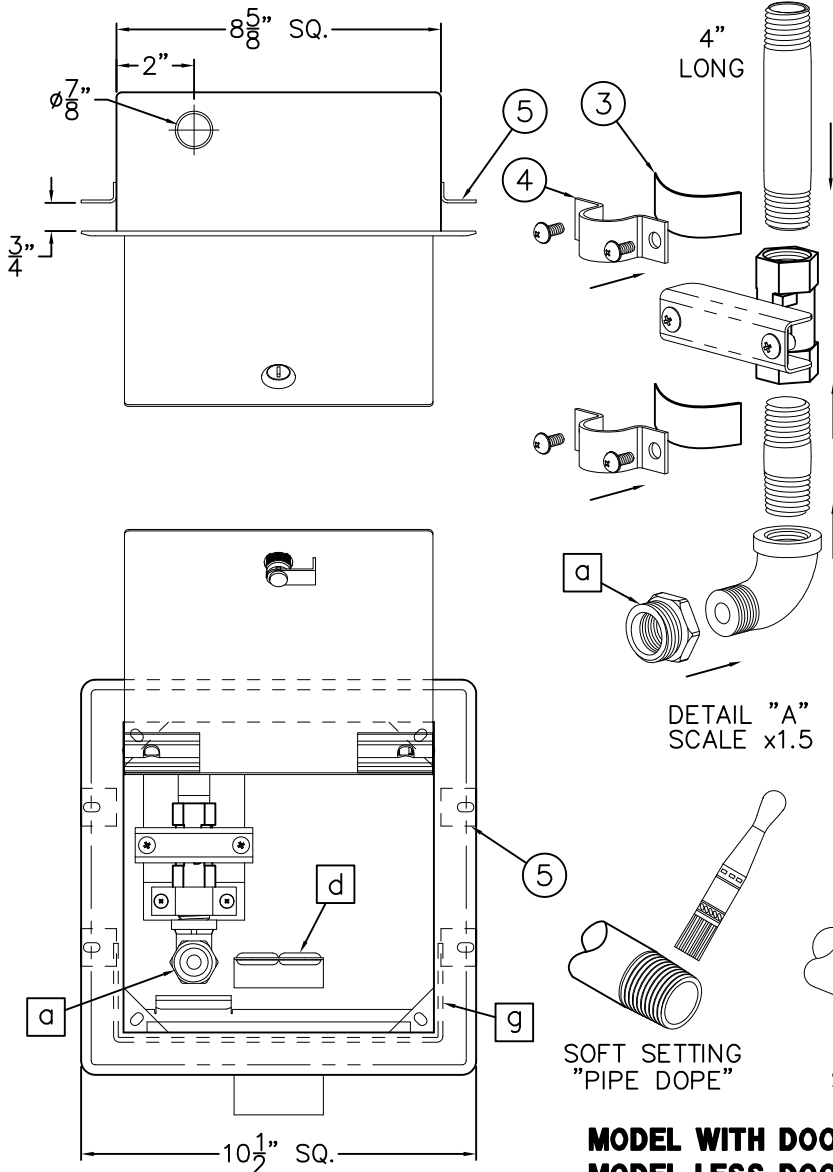
- A- REMOVE THE WALL FLANGE OR DOOR FRAME ① SHOWN FROM THE BOX ②.
- B- ASSEMBLE THE VALVE INLETS AND OUTLETS AS SHOWN IN DETAIL "A". INSERT CLAMP GASKET ③ INTO PIPE CLAMP, INSTALL ④ PIPE CLAMP AROUND NIPPLE AND TIGHTEN CLAMP TO HOLD VALVE IN PLACE.
- C- SELECT RECESSED MOUNTING LOCATION AND BLOCK OUT AND/OR PROVIDE ADEQUATE WALL BACKING OR FRAMING BY OTHERS.
- D- USING MOUNTING TABS ⑤, POSITION AND SECURE THE BOX TO THE STUD FRAMING OR WALL BACKING WITH THE BOX OPENING FLUSH WITH THE FINISHED WALL. PLUMB AND LEVEL AS REQUIRED.

**NOTICE:**  
 FAILURE TO READ, UNDERSTAND AND FOLLOW INSTRUCTIONS MAY RESULT IN DAMAGE TO EQUIPMENT  
 1- PVC BALL VALVE MANUFACTURER RECOMMENDS THE USE OF A SOFT SETTING "PIPE DOPE" SUCH AS JOMAR "GIMME THE WHITE STUFF" OR "GIMME THE GREEN STUFF"  
 2- TIGHTEN THREADED JOINTS 1/4 TO 1/2 TURN BEYOND FINGER TIGHT. AVOID "BACKING UP" THE WRENCHED ASSEMBLY. DO NOT OVER TIGHTEN.  
 3- DO NOT USE TEFLON TAPE.

- E- MAKE UP SUPPLY AND WASTE CONNECTIONS TO ⑥ VALVE INLET 1/2" NPT, AND 2-3/8" OD ⑦ WASTE OUTLET. TEST FIXTURE FOR LEAKS AND OPERATION.
- F- INSTALL WALL FLANGE OR DOOR FRAME ① TO THE RECESSED BOX ② TO COMPLETE THE INSTALLATION.

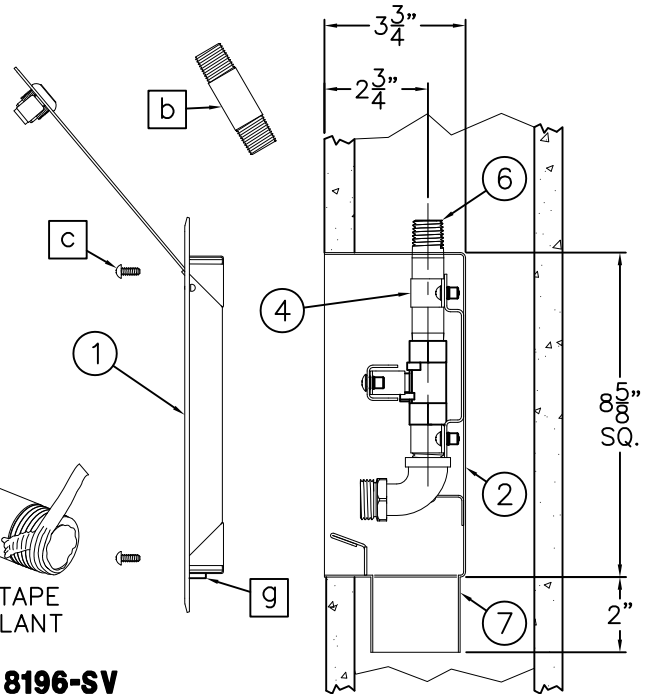
NOTE: MAXIMUM RECOMMENDED WORKING WATER PRESSURE IS 100 PSI; MAXIMUM TEMPERATURE IS 130° F.  
 WARNING: PRIOR TO MAKING INSTALLATION, SUPPLY LINES MUST BE FLUSHED OF ALL FOREIGN MATERIAL SUCH AS PIPE DOPE, CHIPS, SOLDER, ETC. VALVE MUST BE DRAINED PRIOR TO BEING SUBJECTED TO FREEZING TEMPERATURES.

ACORN ENGINEERING COMPANY P.O. BOX 3527 Industry, CA 91744 15125 Proctor Ave Industry, CA 91746 (626) 336-4561 FAX (626) 961-2200	TITLE <b>8190 SERIES SINGLE VALVE RECESSED DIALYSIS SUPPLY AND WASTE BOX</b>		
	MANUFACTURE DATE <b>SEPTEMBER 2011</b> <b>TO PRESENT</b>	DATE ISSUED <b>09/23/11</b>	DRAWING NUMBER <b>9901-056-001</b>



REFERENCE DRAWINGS	
REPAIR PARTS	9989-066-001

- a 3/4" MALE HOSE CONNECTION
- b 3" LONG FLUSHING NIPPLES SHIPPED LOOSE
- c STAINLESS STEEL #10-32 UNF x 1/2" LONG WALL FLANGE / DOOR ANCHORING SCREWS
- d DISCHARGE HOSE BRACKET
- g GRAY FOAM WEATHER STRIPPING TAPE



**MODEL WITH DOOR 8196-SV**  
**MODEL LESS DOOR 8191-SV**  
**MODELS TWO VALVES (8191-SV & 8196-SV)**

SOFT SETTING "PIPE DOPE"  
 FE TAPE SEALANT

**INSTALLATION INSTRUCTIONS:**

- A- REMOVE THE WALL FLANGE OR DOOR FRAME (1) SHOWN FROM THE BOX (2).
- B- ASSEMBLE THE VALVE INLETS AND OUTLETS AS SHOWN IN DETAIL "A". INSERT CLAMP GASKET (3) INTO PIPE CLAMP (4), INSTALL PIPE CLAMP AROUND NIPPLE AND TIGHTEN CLAMP TO HOLD VALVE IN PLACE.
- C- SELECT RECESSED MOUNTING LOCATION AND BLOCK OUT AND/OR PROVIDE ADEQUATE WALL BACKING OR FRAMING BY OTHERS.
- D- USING MOUNTING TABS (5), POSITION AND SECURE THE BOX TO THE STUD FRAMING OR WALL BACKING WITH THE BOX OPENING FLUSH WITH THE FINISHED WALL. PLUMB AND LEVEL AS REQUIRED.

**NOTE:**

USE MINIMUM OF 2.5 MIL. OF FE TAPE SEALANT OR SOFT SETTING "PIPE DOPE" TO PREVENT ANY LEAKAGE.

- E- MAKE UP SUPPLY AND WASTE CONNECTIONS TO (6) VALVE INLET 1/2" NPT, AND 2-3/8" OD (7) WASTE OUTLET. TEST FIXTURE FOR LEAKS AND OPERATION.
- F- INSTALL WALL FLANGE OR DOOR FRAME (1) TO THE RECESSED BOX (2) TO COMPLETE THE INSTALLATION.

NOTE: MAXIMUM RECOMMENDED WORKING WATER PRESSURE IS 100 PSI; MAXIMUM TEMPERATURE IS 130° F.

WARNING: PRIOR TO MAKING INSTALLATION, SUPPLY LINES MUST BE FLUSHED OF ALL FOREIGN MATERIAL SUCH AS PIPE DOPE, CHIPS, SOLDER, ETC. VALVE



ACORN ENGINEERING COMPANY  
 P.O. BOX 3527 Industry, CA 91744  
 15125 Proctor Ave Industry, CA 91746  
 (626) 336-4561 FAX (626) 961-2200

TITLE <b>RECESSED DIALYSIS SUPPLY AND WASTE BOX WITH -SV OPTION</b>		
MANUFACTURE DATE <b>JULY 2013</b> <b>TO PRESENT</b>	DATE ISSUED <b>07/22/13</b>	DRAWING NUMBER <b>9901-058-001</b>
	DATE REVISED <b>10/18/13</b>	