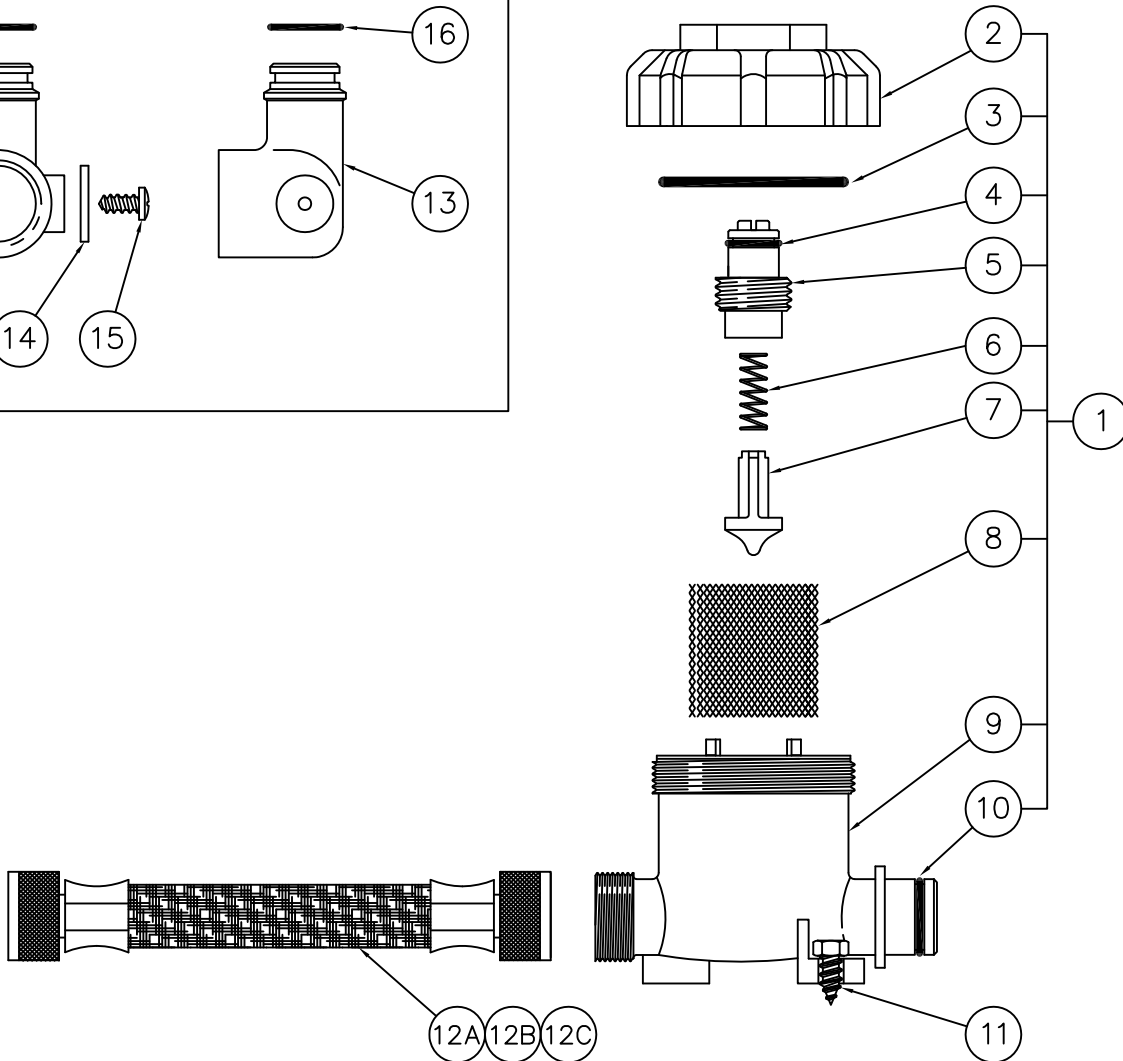
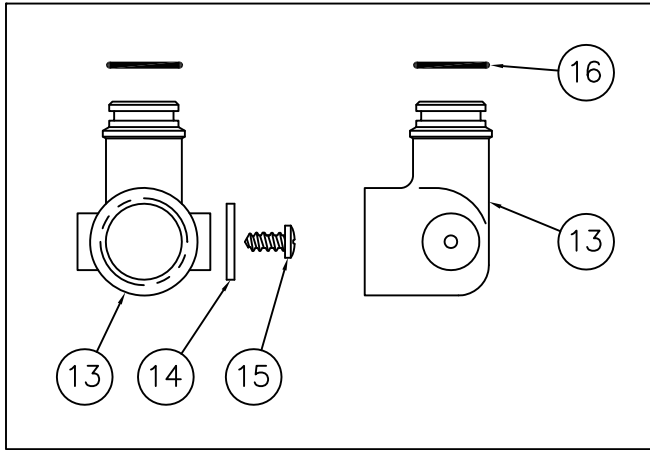


**ELBOW ASSEMBLY USED ONLY ON  
WASH-WARE & MERIDIAN MIXING VALVES.**



1	2570-000-001	CHECKSTOP STRAINER --ASSY COMPLETE	10	0401-016-000	O-RING
2	2570-012-000	STOP BONNET	11	0124-005-000	#10 x 1/2" HX HEAD SELF TAPPING SCREW
3	0401-129-000	O-RING	12A	2195-010-000	1/2" NPS x 6-1/4" STN. STL. INLET HOSE
4	0401-012-000	O-RING	12B	2195-015-000	1/2" NPS x 15-3/4" STN. STL. INLET HOSE
5	2570-015-199	STOP STEM	12C	2195-024-000	1/2" NPS x 24" STN. STL. INLET HOSE
6	2415-002-000	SPRING	13	2570-001-199	M x F PLASTIC ELBOW
7	2570-014-000	CHECK STEM	14	0331-034-000	SPACER WASHER
8	2570-018-000	STRAINER	15	0124-030-000	#8 x 3/8" PAN HEAD SCREW
9	2570-011-001	STOP BODY ASSEMBLY	16	0401-015-000	O-RING
ITEM	PART NUMBER	DESCRIPTION	ITEM	PART NUMBER	DESCRIPTION

<p><b>MORRIS GROUP INTL</b> P.O. BOX 3527 Industry, CA 91744 15125 Proctor Ave Industry, CA 91746 (626) 336-4561 FAX (626) 961-2200</p>	<p><b>TITLE</b> PLASTIC AIR-CONTROL CHECKSTOP ASSEMBLY</p>		
	<p>MANUFACTURE DATE</p> <p><b>DECEMBER 1995</b></p> <p><b>TO PRESENT</b></p>	<p>DATE ISSUED</p> <p><b>12/07/95</b></p>	<p>DRAWING NUMBER</p> <p><b>9956-040-003</b></p>
		<p>DATE REVISED</p> <p><b>04/11/13</b></p>	