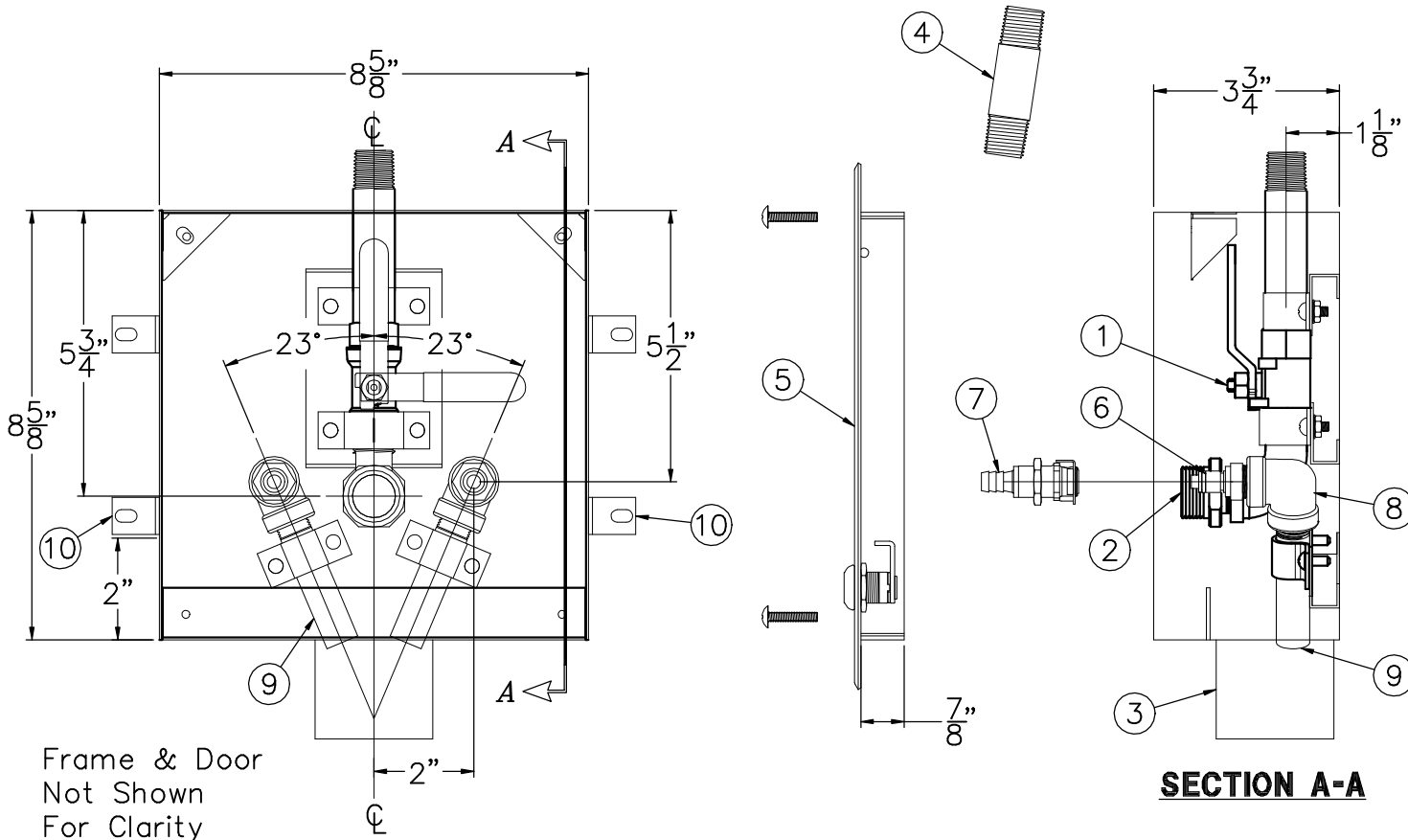


- ① 1/2" NPT Stainless Steel Ball Valve
- ② 3/4" Stainless Steel Hose Connection
- ③ 2-3/8 O.D. Plain End Waste
- ④ 1/2" NPT x 3" Long Stainless Steel Flushing Nipple
- ⑤ Wall Frame With Door & Lock
- ⑥ 3/8" MNPT Acetal Quick-Disconnect Plug

- ⑦ (2) 3/8" ID Hose x 3/8" Acetal Quick-Disconnect Socket (Shipped Loose)
- ⑧ 3/8" NPT Type 316 Stainless Steel 90° Elbow
- ⑨ 3/8" x 3" Long Type 316 Stainless Steel Nipple
- ⑩ Wall Anchoring Clips



**WHITEHALL #M8196-E601-W DIALYSIS BOX w/ QUICK-DISCONNECT FITTINGS**


Stainless steel dialysis box intended for recessed installation. Unit is modified to include 1/2" NPT Stainless Steel Ball Valve. Other modifications include 3/8" MNPT Quick-Disconnect Plugs and 3/8" ID Hose Quick-Disconnect Sockets. Other special fittings included are 3/8" NPT x 3" long type 316 stainless steel nipple, 3/8" NPT type 316 stainless steel 90° elbow and a 1" water dam. All other aspects remain the same as standard. Unit includes wall flange with door and cylinder lock and 2-3/8" O.D. plain end waste connection. Box is fabricated of 18 gage type 316 stainless steel. Door and door frame assembly fabricated of 16 gage type 304 stainless steel with exposed surfaces polished to a satin finish.

Refer to standard #8190 catalog sheet for additional options and technical data.

APPROVAL OF THIS MODIFIED SUBMITTAL IS AUTHORIZATION FOR PRODUCTION WITH MODIFICATIONS SHOWN AND NONE OTHERS WHETHER VERBAL OR IMPLIED. NO FURTHER MODIFICATIONS PERMITTED AFTER RECEIPT OF THIS DOCUMENT BY WHITEHALL, A MEMBER OF MORRIS GROUP INTERNATIONAL.

Approved By: \_\_\_\_\_

Date: \_\_\_\_\_

ITEM	QTY.	MODEL NO.	 <b>WHITEHALL™ MANUFACTURING</b>	P.O. BOX 3527 INDUSTRY, CA 91744 (626) 968-6681	15125 PROCTOR AVE INDUSTRY, CA 91746 FAX (626) 855-4862	
JOB		MODIFIED #8196 w/QUICK-DISCONNECT				
LOCATION			DATE	REVISION	DRN. BY	DWG. NO.
ARCH.			03/21/14		RMC	M8196-E601-W
M.E.	I: \SALESENG\WHITEHALL\Dialysis Boxes\WEB					

DIMENSIONS ARE SUBJECT TO MANUFACTURERS TOLERANCE AND CHANGE WITHOUT NOTICE. WE CAN ASSUME NO RESPONSIBILITY FOR USE OF SUPERSEDED OR VOID DATA, THIS PRINT IS CONFIDENTIAL AND IS LOANED FOR MUTUAL ASSISTANCE. IT IS NOT TO BE FORWARDED TO OTHER PARTIES NOR REPRINTED IN ANY FORM WITHOUT OUR WRITTEN PERMISSION.