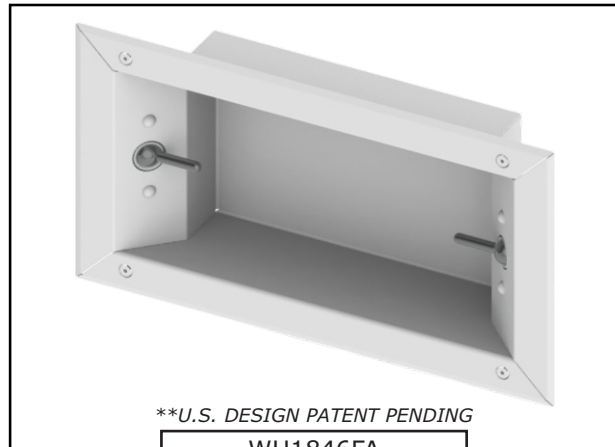




**Ligature-Resistant Auto-Release Paper
 Towel Holder**

Paper Towel Housing fabricated from 16 gage, type 304 stainless steel with exposed surfaces powder coated white or polished to a satin finish. Paper Towel Holder is arranged to be installed on finished wall from the front. Wide Flange is beveled to provide a uniform surface, ensuring a tight fit between the rim and the wall. Auto-Release Pins are tested to hold a minimum of 20 lbs. and release at 40 lbs. or greater. Paper Towel Holder is furnished with 1/4"-20 UNC tamper-resistant Screws for use with installer provided Wall Anchors.



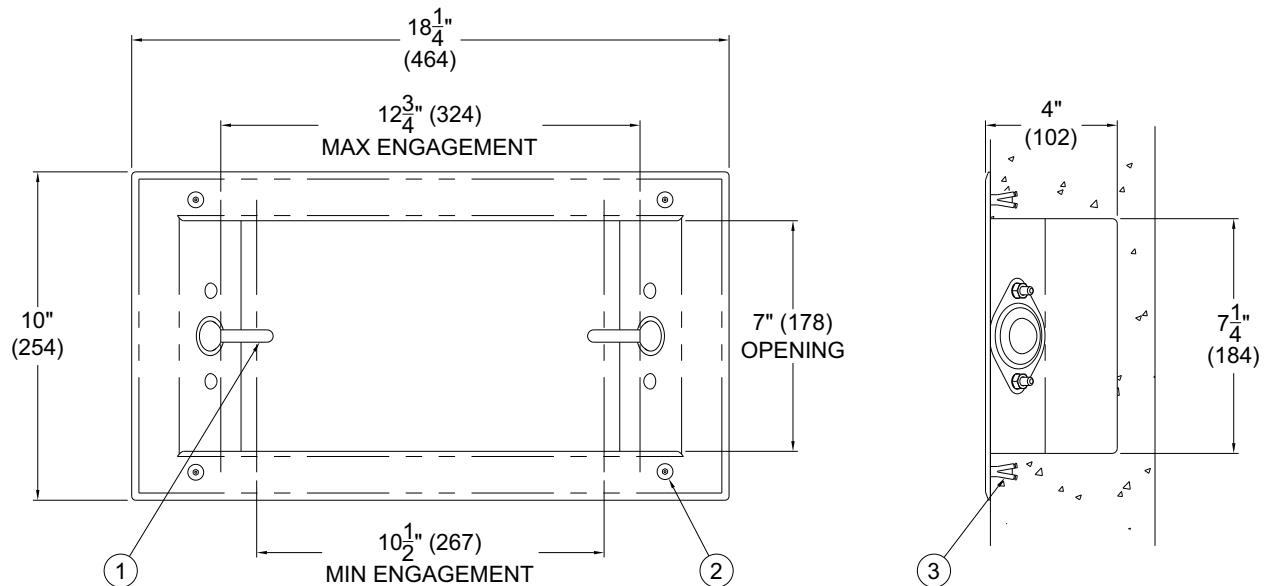
**U.S. DESIGN PATENT PENDING

WH1846FA

MODEL NUMBER AND OPTIONS SELECTION:

BASE MODEL NUMBER

- WH1846FA Ligature-Resistant Auto-Release Paper Towel Holder (White)
- WH1846FA-SS Ligature-Resistant Auto-Release Paper Towel Holder (Stainless Steel)



NOTES:

1. Auto-Release Paper Towel Pin
2. 1/4"-20 UNC Tamper-Resistant Screws
3. Wall Anchors By Others

DISCLAIMER:

This product is designed to decrease the probability that it may be utilized as an apparatus for ligature. It is not a replacement for professionals who are trained in the proper evaluation, management and supervision of persons at risk of suicide.

WARNING: Cancer and Reproductive Harm - www.P65Warnings.ca.gov



Member of
 U.S. Green
 Building
 Council



Recyclable
 Product

All dimensions are nominal and subject to manufacturer's change without notice. Whitehall assumes no responsibility for use of void or superseded data © Whitehall Manufacturing, Member of Morris Group International. Please visit www.whitehallmfg.com for most current specifications.

SELECTION SUMMARY & APPROVAL FOR MANUFACTURING

Model Number & Options _____ Quantity _____
 Company _____ Date _____
 Contact _____ Title _____
 Approval for Manufacturing/Signature _____