

AI Series



Lightweight Aluminum Insulated Access Doors

Lightweight Aluminum Insulated Doors are lightweight ideally suited for new installations or for remodeling on wall or ceilings.

Door and Frame are fabricated of a .064" thick aluminum door panel and .094" thick aluminum extruded frame with a mill finish. Unit will include 1/8" x 3/8" closed cell neoprene gasketing.

Frame includes a 1-5/16" mitered aluminum extrusion flange with 1-1/2" deep mounting frame. Wall frame is provided with 1/4"x 1/2" mounting slots for fastening within the furred spaces allowing faster installation and fixing maximum clearance.

Doors to have concealed pin hinge. Door will include 3/4" Type 3 Expanded Polystyrene (EPS) Foil Lined Insulation, with a 3.18 R Value.

Latch is screwdriver operated cam latch.

Finish is a mill finish.

Guide Specification

Provide Elmdor® AI Series, Lightweight Aluminum Access Doors (Specify model number and options). Access door and frame shall be fabricated from a .064" thick aluminum door panel and .094" thick aluminum extruded frame with a mill finish. Doors to have concealed pin hinge. Door will include 3/4" Type 3 Expanded Polystyrene (EPS) Foil Lined Insulation, with a 3.18 R Value. Latch shall be screwdriver operated cam latch. Unit will include 1/8" x 3/8" closed cell neoprene gasketing.



MODEL NUMBER AND OPTIONS SELECTION

BASE MODEL NUMBER

AI Lightweight Aluminum Access Door

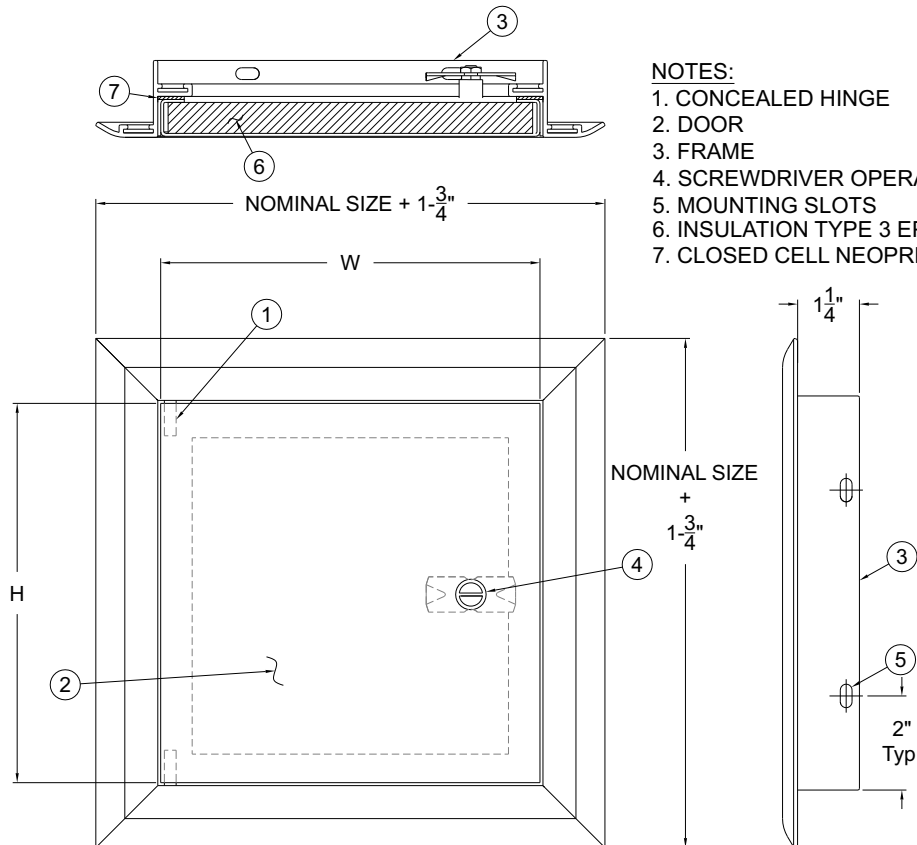
Suffix Options

- AKL Allen Key Latch
- CL Cylinder Lock (one per door)
- CLD Cylinder Lock with Dust Shutter (one per door)

STANDARD AVAILABLE SIZES

Special sizes available upon request.

| NOMINAL DOOR SIZE (W x H) | WALL OPENING | LATCHES | WEIGHT |
|------------------------------|-------------------|---------|------------|
| AI 8" x 8" | 8-5/8" x 8-5/8" | 1 | 2.0 lbs. |
| AI 10" x 10" | 10-5/8" x 10-5/8" | 1 | 2.5 lbs. |
| AI 12" x 12" | 12-5/8" x 12-5/8" | 1 | 3.0 lbs. |
| AI 14" x 14" | 14-5/8" x 14-5/8" | 1 | 4.0 lbs. |
| AI 18" x 18" | 18-5/8" x 18-5/8" | 1 | 5.0 lbs. |
| AI 24" x 24" | 24-5/8" x 24-5/8" | 1 | 8.0 lbs. |
| AI 24" x 36" | 24-5/8" x 36-5/8" | 2 | 11.0 lbs. |
| AI 24" x 48" | 24-5/8" x 48-5/8" | 2 | 14.0 lbs. |
| AI 30" x 30" | 30-5/8" x 30-5/8" | 2 | 11.0 lbs. |
| AI 36" x 36" | 36-5/8" x 36-5/8" | 2 | 14.5 lbs. |
| AI 36" x 48" | 36-5/8" x 48-5/8" | 2 | 18.25 lbs. |



- NOTES:**
1. CONCEALED HINGE
 2. DOOR
 3. FRAME
 4. SCREWDRIVER OPERATED CAM LATCH
 5. MOUNTING SLOTS
 6. INSULATION TYPE 3 EPS THERMAL BOARD
 7. CLOSED CELL NEOPRENE GASKETING

WARNING: Cancer and Reproductive Harm - www.P65Warnings.ca.gov

Dimensions are subject to manufacturer's tolerance of plus or minus 1/4". Elmdor/Stoneman assumes no responsibility for use of void or suspended data. Please visit www.elmdorstoneman.com for most current specifications. © Copyright 2009 Elmdor/Stoneman, City of Industry, CA, A Division of Acorn Engineering Company.

SELECTION SUMMARY & APPROVAL FOR MANUFACTURING

| | |
|--|----------------|
| Model Number & Options _____ | Quantity _____ |
| Company _____ | Date _____ |
| Contact _____ | Title _____ |
| Approval for Manufacturing/Signature _____ | |

AI

Revised: 08/31/18